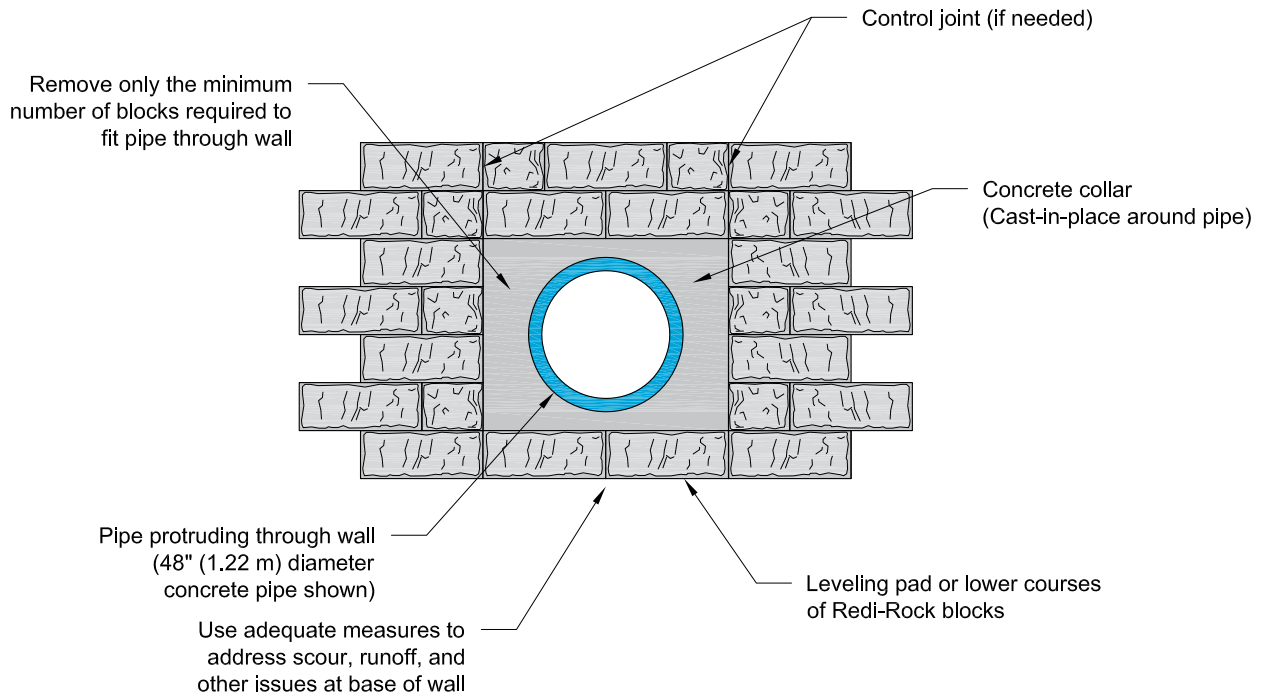
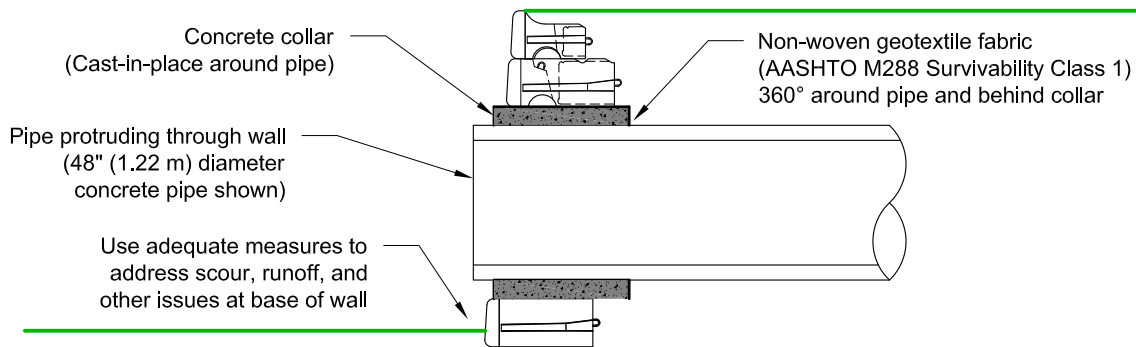


Pipes Installed Perpendicular Through Wall



Plan View



Section View

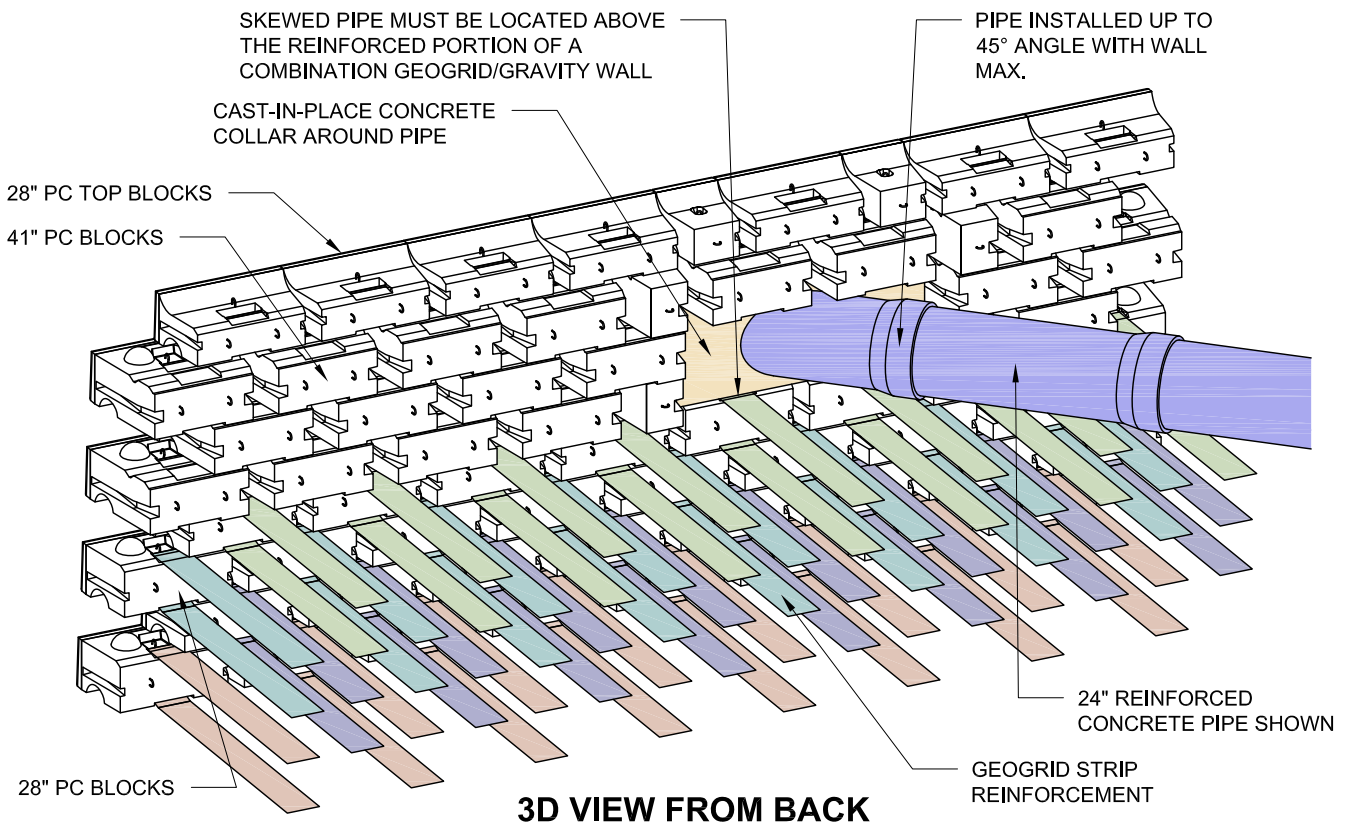
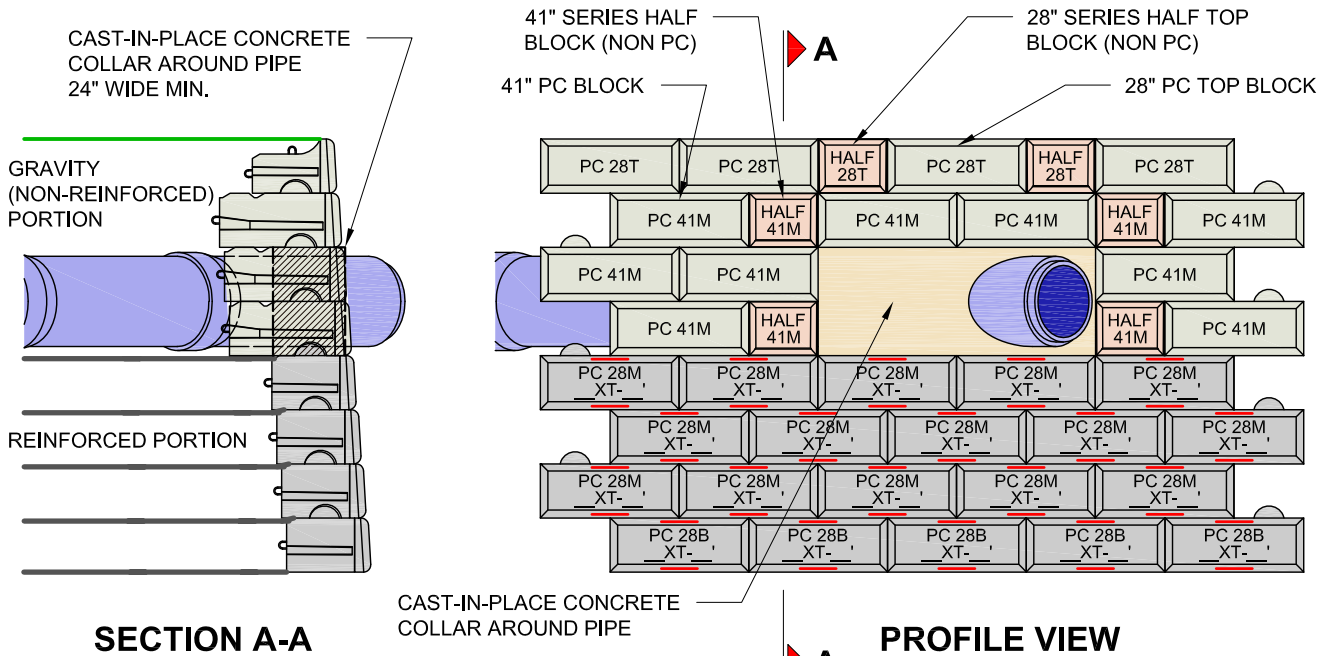
This drawing is for reference only. Determination of the suitability and/or manner of use of any details contained in this document is the sole responsibility of the design engineer of record. Final project designs, including all construction details, shall be prepared by a licensed professional engineer using the actual conditions of the proposed site.

DRAWN BY:	JRJ
APPROVED BY:	JRJ
DATE:	06-22-2015
SHEET:	1 of 1

TITLE:	Pipes Installed Perpendicular Through Wall
FILE:	1 Pipe Installed Perpendicular Through Wall 062215.dwg

REDI-ROCK®
 05481 US 31 SOUTH, CHARLEVOIX, MI 49720
 (866) 222-8400 ext 3010 • engineering@redi-rock.com
www.redi-rock.com

Pipes Installed Skewed Through Wall



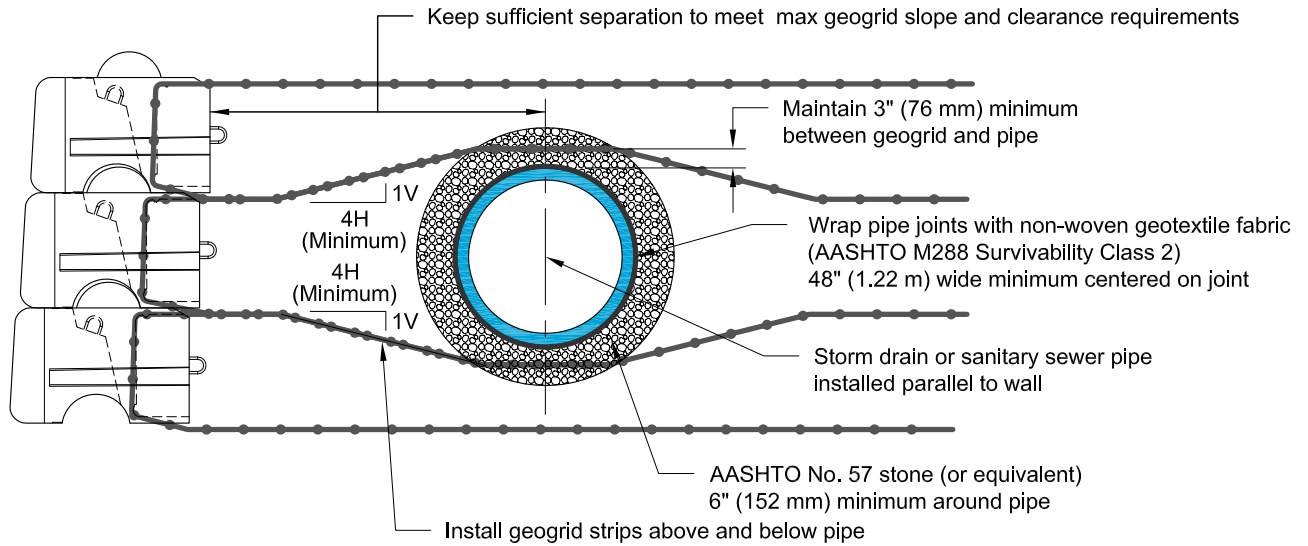
DRAWN BY:	JRJ
APPROVED BY:	JRJ
DATE:	06-22-2015
SHEET:	1 of 1

TITLE:	Pipes Installed Skewed Through Wall
FILE:	2 Pipes Installed Skewed Through Wall 062215.dwg

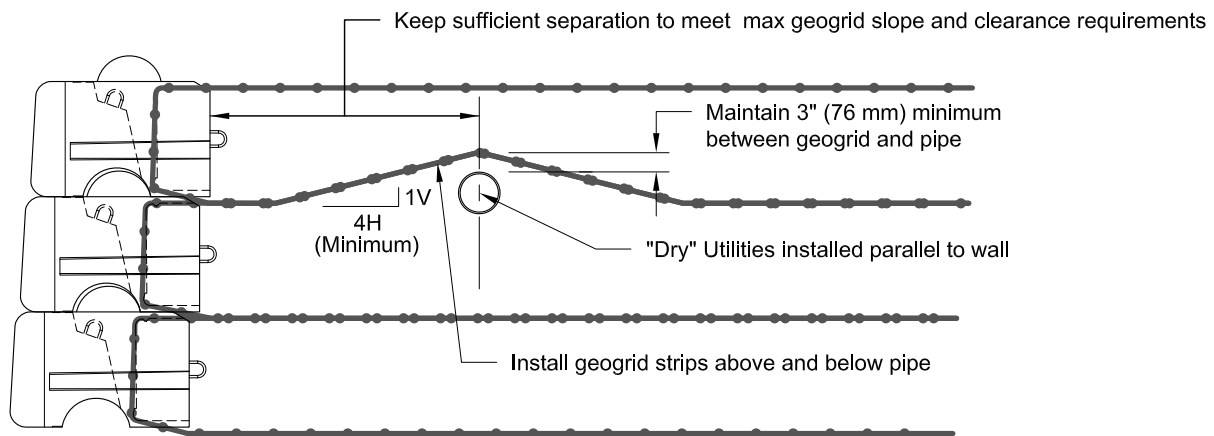
REDI-ROCK®

05481 US 31 SOUTH, CHARLEVOIX, MI 49720
 (866) 222-8400 ext 3010 • engineering@redi-rock.com
www.redi-rock.com

Utilities in the Reinforced Soil Zone



Storm or Sanitary Sewer Pipe



"Dry" Utilities (Electric, Gas, Telecommunications)

Redi-Rock International follows the recommendations of FHWA GEC 011 and discourages placing pipes or other horizontal obstructions behind the wall in the reinforced soil zone. Placing pipes in this zone could lead to maintenance problems and potential wall failure.

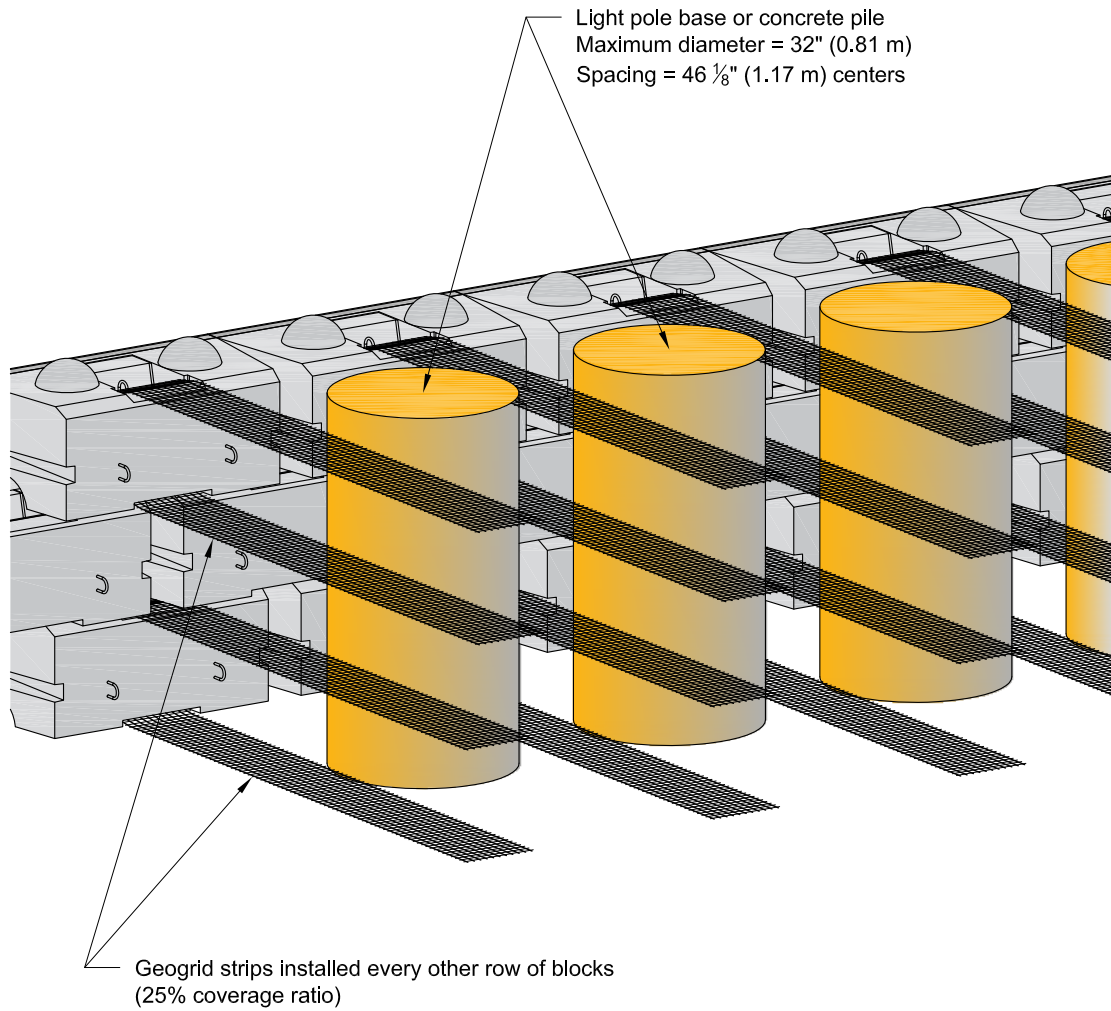
This drawing is for reference only. Determination of the suitability and/or manner of use of any details contained in this document is the sole responsibility of the design engineer of record. Final project designs, including all construction details, shall be prepared by a licensed professional engineer using the actual conditions of the proposed site.

DRAWN BY:	JRJ
APPROVED BY:	JRJ
DATE:	06-22-2015
SHEET:	1 of 1

TITLE:	Utilities in Reinforced Soil Zone
FILE:	3 Utilities in Reinforced Soil Zone 062215.dwg

REDI-ROCK®
 05481 US 31 SOUTH, CHARLEVOIX, MI 49720
 (866) 222-8400 ext 3010 • engineering@redi-rock.com
www.redi-rock.com

Light Pole Base or Concrete Pile in Reinforced Soil Zone



3D View from Back

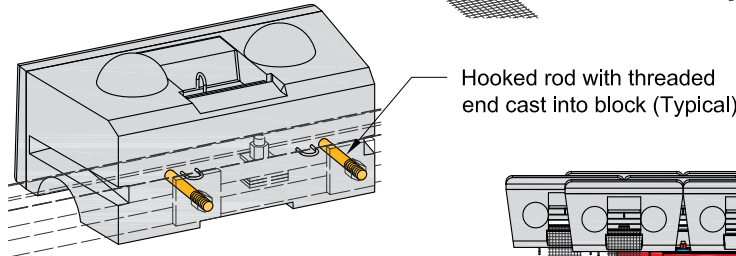
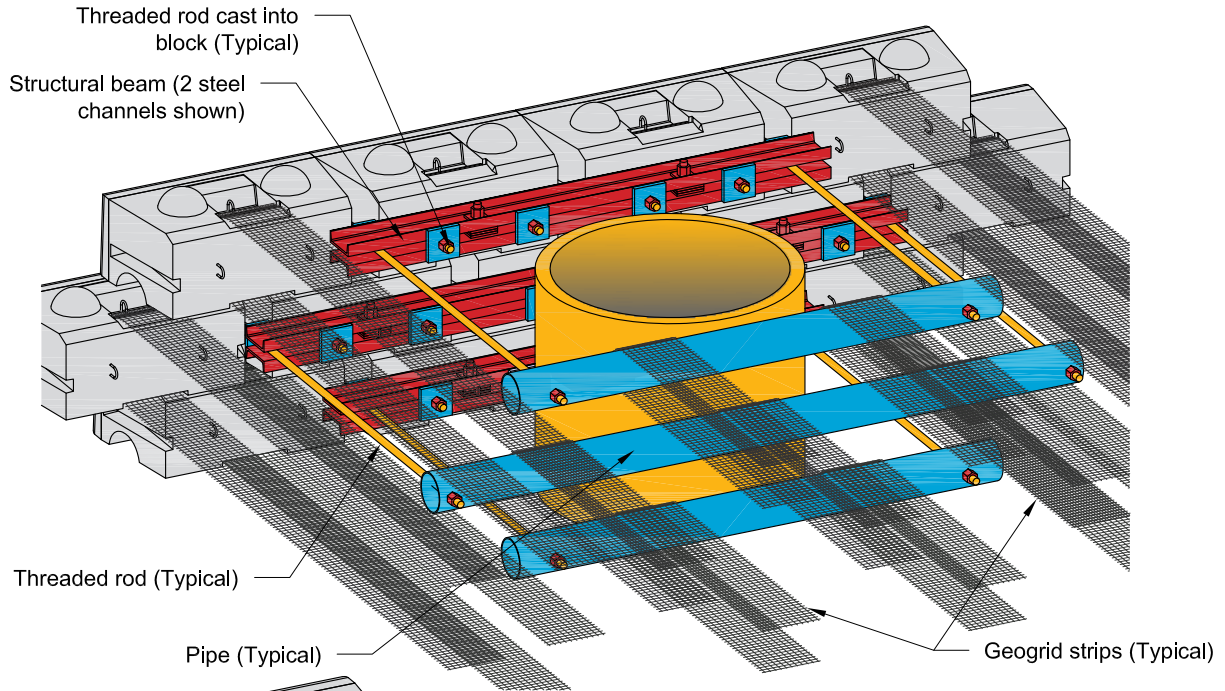
This drawing is for reference only. Determination of the suitability and/or manner of use of any details contained in this document is the sole responsibility of the design engineer of record. Final project designs, including all construction details, shall be prepared by a licensed professional engineer using the actual conditions of the proposed site.

DRAWN BY:	JRJ
APPROVED BY:	JRJ
DATE:	06-22-2015
SHEET:	1 of 1

TITLE:	Vertical Concrete Pile in Reinforced Soil Zone
FILE:	4 Vertical Concrete Pile in Reinforced Soil Zone 062215.dwg

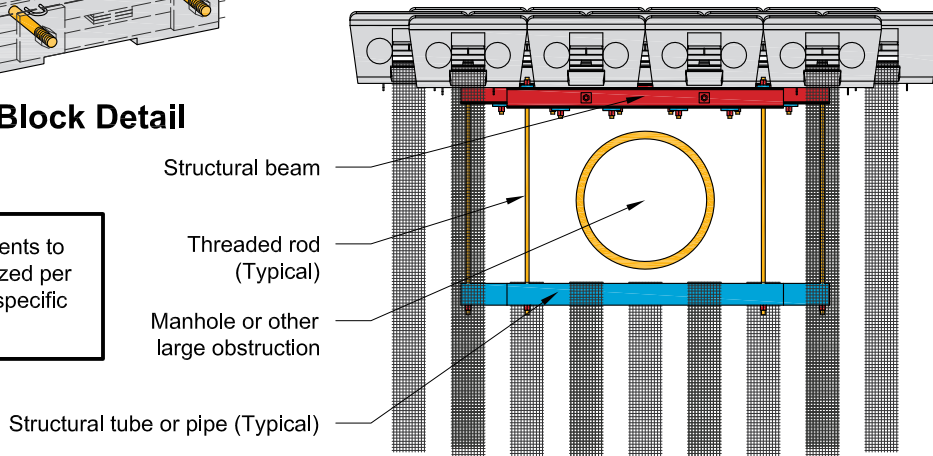
REDI-ROCK®
05481 US 31 SOUTH, CHARLEVOIX, MI 49720
(866) 222-8400 ext 3010 • engineering@redi-rock.com
www.redi-rock.com

Manhole or Large Obstruction in Reinforced Soil Zone



Block Detail

Steel structural elements to be sized and galvanized per engineer for project specific requirements.



Top View

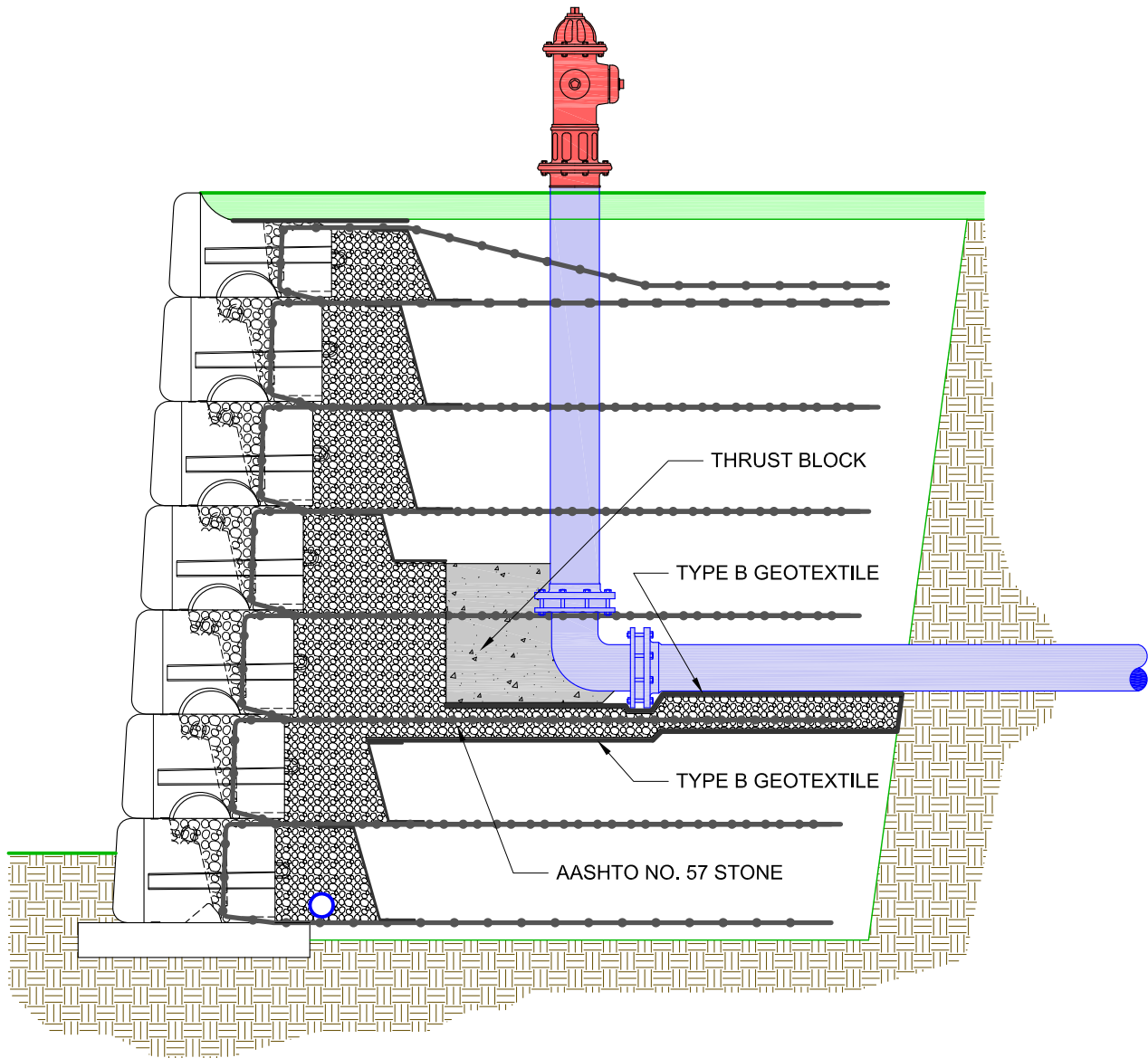
This drawing is for reference only. Determination of the suitability and/or manner of use of any details contained in this document is the sole responsibility of the design engineer of record. Final project designs, including all construction details, shall be prepared by a licensed professional engineer using the actual conditions of the proposed site.

DRAWN BY:	JRJ
APPROVED BY:	JRJ
DATE:	06-22-2015
SHEET:	1 of 1

TITLE:	Manhole or Large Obstruction in Reinforced Soil Zone
FILE:	5 Manhole in Reinforced Soil Zone 062215.dwg

REDI-ROCK®
 05481 US 31 SOUTH, CHARLEVOIX, MI 49720
 (866) 222-8400 ext 3010 • engineering@redi-rock.com
 www.redi-rock.com

Fire Hydrant in Reinforced Soil Zone



1. INSTALL HYDRANT CONCURRENTLY WITH WALL CONSTRUCTION PER SITE PLAN REQUIREMENTS.
2. INSTALL GEOGRID STRIPS AROUND RISER.
3. DRAINAGE BLANKET EXTENDS TO BACK OF REINFORCED SOIL ZONE.
4. WIDTH OF DRAINAGE BLANKET IS 3' AND THICKNESS IS 6".
5. DIVE GEOGRID STRIP DOWN UNDER DRAINAGE BLANKET AS NEEDED.
6. INSTALL AASHTO NO. 57 STONE BETWEEN THRUST BLOCK AND REDI-ROCK PC BLOCKS.

This drawing is for reference only. Determination of the suitability and/or manner of use of any details contained in this document is the sole responsibility of the design engineer of record. Final project designs, including all construction details, shall be prepared by a licensed professional engineer using the actual conditions of the proposed site.

DRAWN BY:	JRJ
APPROVED BY:	JRJ
DATE:	06-22-2015
SHEET:	1 of 1

TITLE:	Fire Hydrant in Reinforced Soil Zone
FILE:	6 Fire Hydrant in Reinforced Soil Zone 062215.dwg

REDI-ROCK®
05481 US 31 SOUTH, CHARLEVOIX, MI 49720
(866) 222-8400 ext 3010 • engineering@redi-rock.com
www.redi-rock.com